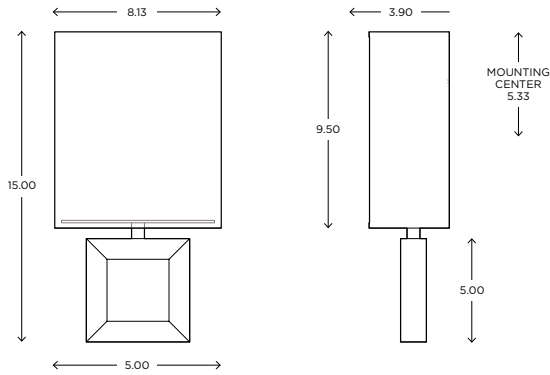


Boutique Arcadia

ADA | CUSTOM OPTIONS



The Arcadia sconce is offered in a variety of distinctive wood species, metal finishes and lamping options. Arcadia focuses attention on conservation and sustainability. We use repurposed and renewable wood, reclaimed and recycled aluminum, and offer the option of energy efficient fluorescent or LED technology.

DIMENSIONS

15.00"H x 8.13"W x 3.90"P

LAMPING / VOLTAGE

- [1] 60W Max Incandescent Candelabra Base
610 Lumens, 2700K, 120V, dimming
- [1] 18/26/32W Fluorescent CFL GX24q-3 Base
1200/1800/2400 Lumens, 3000K, 120V
non-dimming
- [1] 12W LED Module
1200 Lumens, 3000K, 120V, dimming

FINISH

Polished Aluminum, Brushed Aluminum,
Oil Rubbed Bronze

+

Mahogany, Sapele, Bamboo, Ebony

DIFFUSER

White Shantung

Acrylic Available (additional cost)

Available as a double sconce



Ayre Architectural Lighting
14 Bristol Drive, Unit B
South Easton, MA 02375

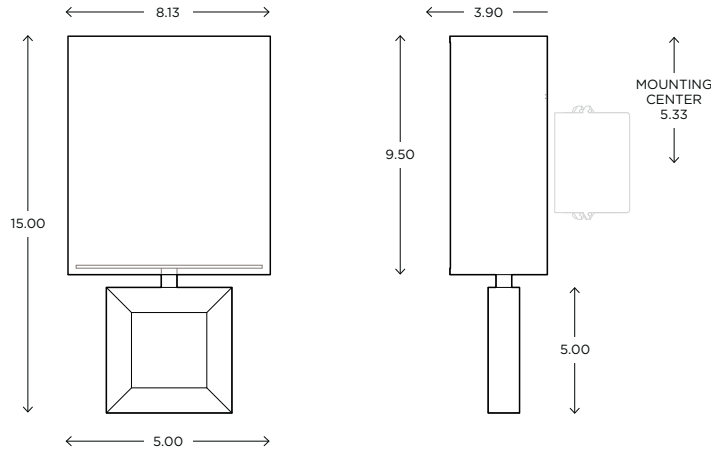
Tel 508.205.0545
Toll Free 877.722.AYRE
Fax 508.205.0548

ayrelight.com

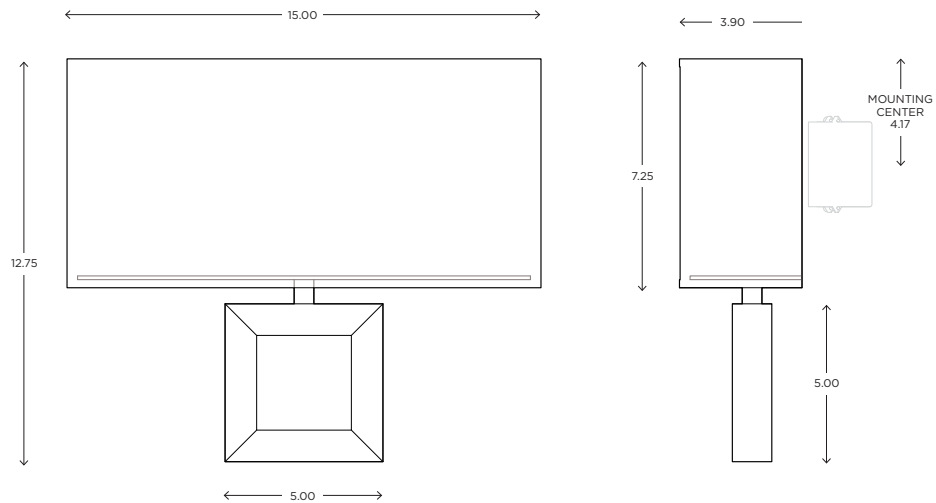
Boutique Arcadia

ADA | CUSTOM OPTIONS

MODEL
ARCADIA SCONCE // ARC1



MODEL
ARCADIA SCONCE // ARCD

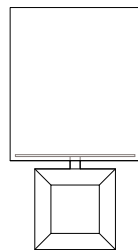


This fixture mounts independently from diffuser/backplate. The outlet box is located behind the diffuser.

Refer to the instructions for correct j-box placement and installation requirements.

Est. Weight: 3.75 lbs

MODEL
ARCADIA SCONCE // ARC1



DIMENSIONS

Height: 15.00
Width: 8.13
Projection: 3.90

FIXTURE TYPE

ADA Sconce / A

DIFFUSER

White Shantung / WS

FINISH

Polished Aluminum / PA
Brushed Aluminum / BA
Oil Rubbed Bronze / OB

WOOD

Mahogany / MH
Bamboo / BB
Sapele / SP
Ebony / EB

LAMPING / VOLTAGE

INCANDESCENT / INC
[1] 60W Candelabra Base
120V, dimming

FLUORESCENT / FL
[1] CFL 18/26/32W GX24q-3
Base, 120V, non-dimming

LED / LED
[1] 3000K 120V

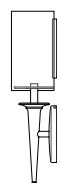
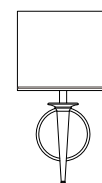
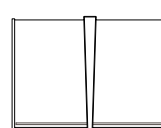
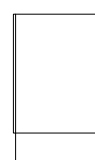
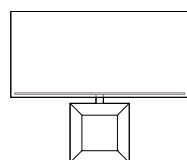
RELATED PRODUCTS

ARCADIA SCONCE // ARCD
ADA

KYOTO SCONCE // KYO1
ADA

LYRIC SCONCE // LYR1
ADA

SIENA SCONCE // SIE1
ADA



Ayre Architectural Lighting
14 Bristol Drive, Unit B
South Easton, MA 02375

Tel 508.205.0545
Toll Free 877.722.AYRE
Fax 508.205.0548

ayrelight.com