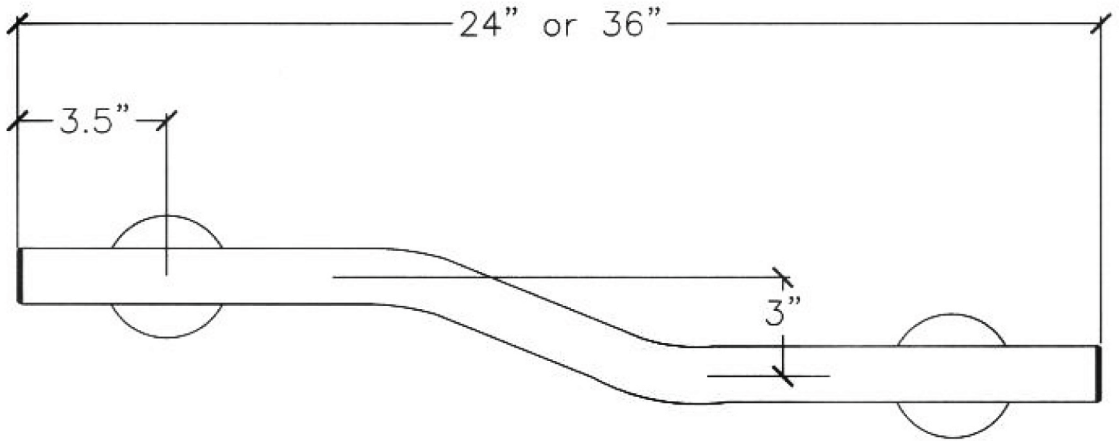




Peak

1 1/4" 304 Stainless Steel Grab Bar with Twist Lock Flange



Available Sizes:

24" or 36"

Available Finishes:

- Brushed Stainless
- Polished Stainless
- Brushed Stainless with Chrome Flanges
- Oil Rubbed Bronze
- White or Almond
- Sure Grip Stainless
- Sure Grip White or Almond
- Sure Grip Chrome



ZONE	REV. #	REVISION DESCRIPTION	DATE	APPROVED
DIMENSIONS ARE IN INCHES		<div style="text-align: center;"> <h1>Splash[®]</h1> <p>by Great Grabz</p> </div>		
TOLERANCES:				
FRACTIONAL ± 3/16"				
ANGULAR ± 2"				
TWO PLACE DECIMAL ± .125"				
MATERIAL: 304 Stainless Steel				
FINISH :				
		NAME	DATE	
DRAWN BY	J.King	Feb 9/09	SIZE	DWG. NO.
APPR. BY			A	
DO NOT SCALE DRAWING		WEIGHT:		REV. 0
				SHEET 1 OF 1

PROPRIETARY AND CONFIDENTIAL
THE INFORMATION CONTAINED IN THIS
DRAWING IS THE SOLE PROPERTY OF
ELCOMA METAL FABRICATING LTD. ANY
REPRODUCTION IN PART OR AS A
WHOLE WITHOUT WRITTEN PERMISSION
OF ELCOMA METAL FABRICATING LTD.
IS PROHIBITED.