

Model 6 4901 Shown



**CENTRAL ARIZONA SUPPLY**

**PLUMBING SHOWROOM COMMERCIAL HEATING & AIR**

**Phone: 480-834-5817**

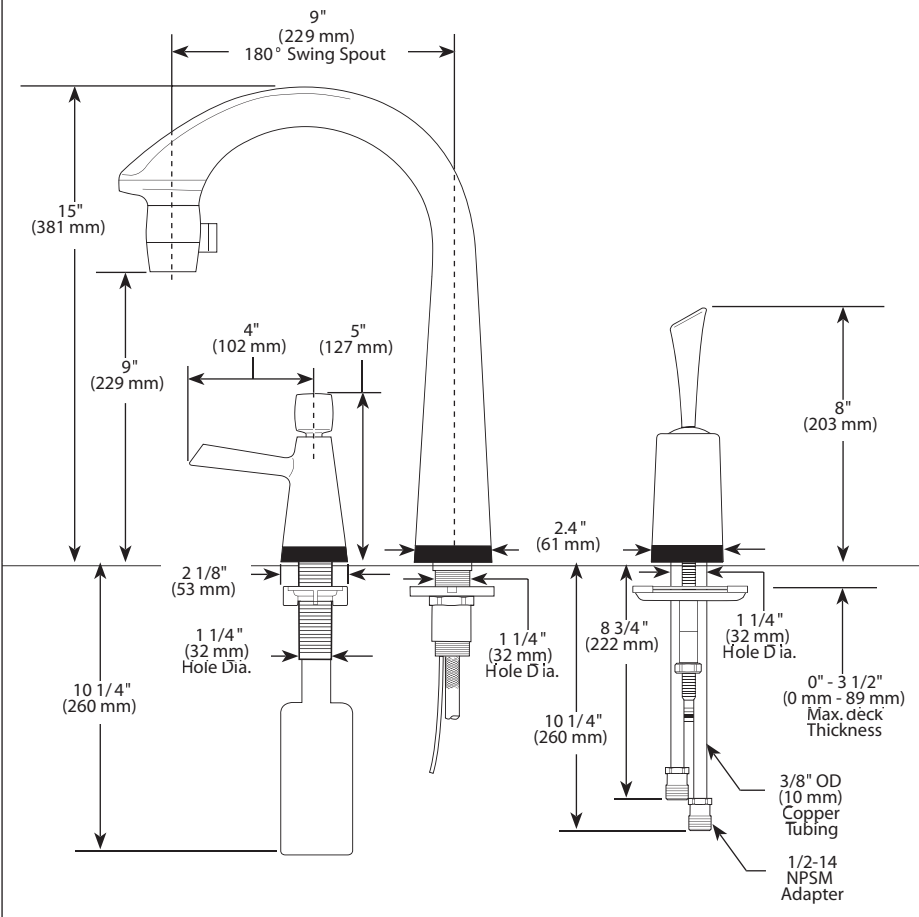
## KITCHEN FAUCETS

- Pascal Culinary Faucet
- w/Smart Technology
- Single Handle Widespread
- 2 & 3 Hole Sink Application
- Hands Free & Touch Activation
- Pull Down Two Function Diverter
- Easy To Connect Hose Connector

Submitted Model No. \_\_\_\_\_

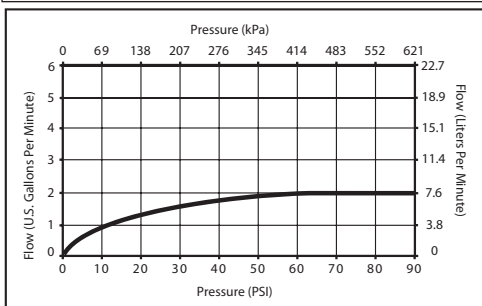
Specific Features: \_\_\_\_\_

Recommend 4" center to center from spout  
 Maximum spout to valve spacing  
 Recommend 4" to 8" center to center from spout to valv  
 additional spread will shorten the reach of the pull down



### STANDARD SPECIFICATIONS:

- Solid brass fabricated body.
- 9" (229 mm) long, 15" (381 mm) high, spout swings 180°.
- Lever handle. Control mechanism is the rotating stainless steel ball type with replaceable non-metallic seats operating in stainless steel lined sockets.
- Control handle shall return to neutral position when valve is turned off.
- Electronics will turn off when valve is turned off.
- AC/DC Transformer to be 9 volt, 3 watt, three prong grounded connection.
- Battery pack to take 4 "D" cell batteries, 1.5-2.0 year battery life.
- Solenoid to be a two-way latching solenoid valve with an integrated filter.
- Features a dual function pull down diverter with a push button diverter. Two modes are an aeration stream and spray. Includes the twist and lock feature.
- Light indicator in nose indicator of Hands Free options active and indicates a low battery condition.
- Check valves to prevent cross flow are incorporated in the inlets.
- Dual check valves are installed in the diverter and hose assembly to prevent back siphonage.
- Includes stabilization plate for use on stainless steel sinks.
- Hands free feature turns on water flow automatically when object is placed under aerator, water turns off automatically when object is removed.
- Water turns on when spout or handle is tapped. Water can be turned off by tapping on spout or handle. Tap on/off can occur as fast as 1/2 second.
- Grasping and moving the spout will not cause water to turn on.
- Hands free feature can be turned on and off.
- Water turns on automatically when pull down diverter is extended from spout.



COMPLIES WITH:

• ASME A112.18.1 / CSA B125.1

Indicates ADA compliance to ICC/ANSI A117.1

• NSF 61