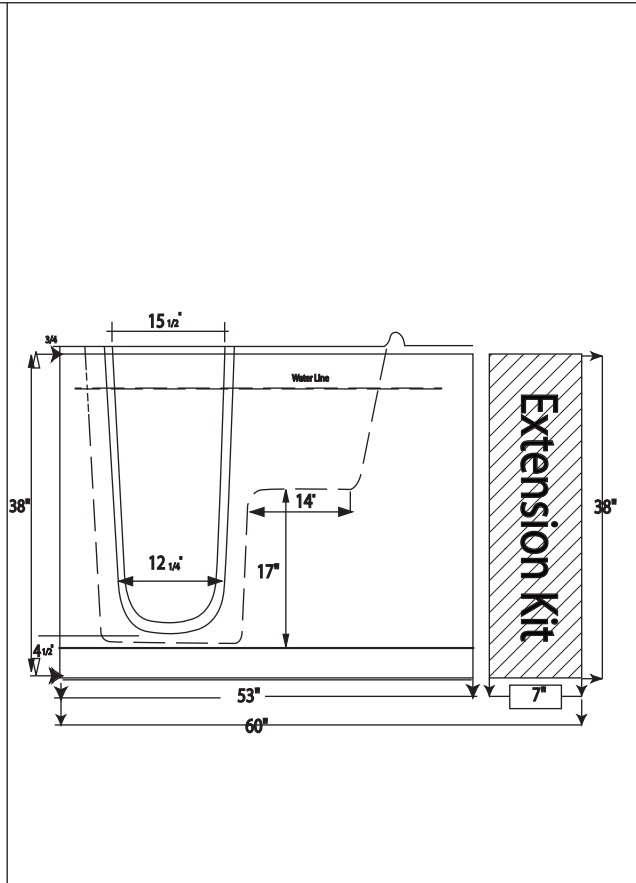
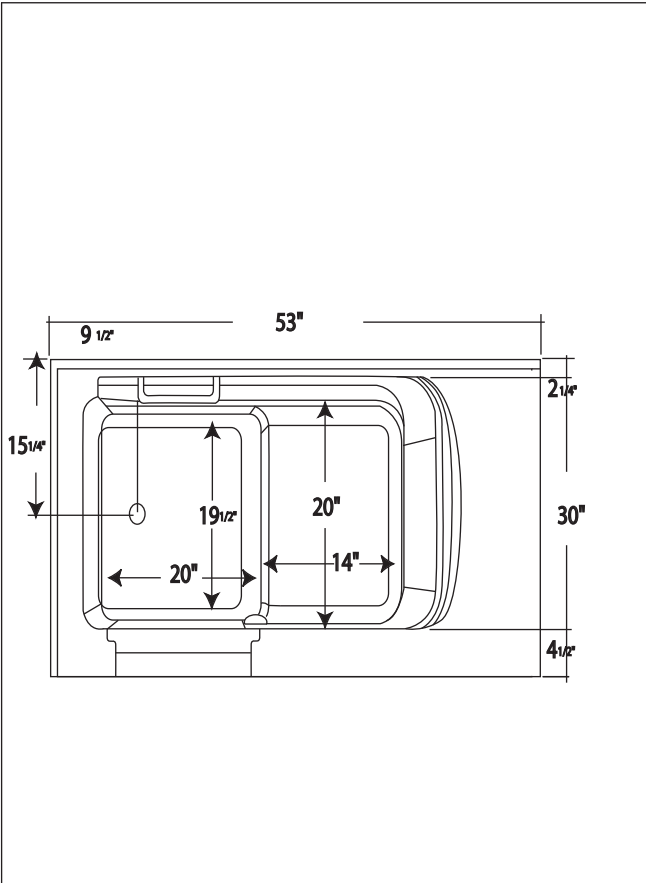




**CENTRAL
ARIZONA
SUPPLY**

**PLUMBING
SHOWROOM
COMMERCIAL
HEATING & AIR**

Phone: 480-834-5817



**UNLESS OTHERWISE SPECIFIED:
DIMENSIONS ARE IN INCHES
TOLERANCES:
FRACTIONAL: +/- 1/8"
ANGULAR: +/- 1/2"
TWO PLACE DECIMAL: xx = +/- 010
THREE PLACE DECIMAL: xxx = +/- 005**

TITLE: WALK IN BATH TUB

3053

CAPACITY/OPERATING LEVEL:	55 GAL	DATE	05/06/09	DWG. NO.	1	REV	D	
	APPROX. UNIT WEIGHT:	175 Lbs	DRAWN					OG
	APPROX. SHIPPING WEIGHT:	273 Lbs	CHECKED					JH

SKU VARIATIONS

MT3053LWS
-Left, White, Soaker

MT3053RWS
-Right, White, Soaker

MT3053LBS
-Left, Biscuit, Soaker

MT3053RBS
-Right, Biscuit, Soaker

MT3053LWH
-Left, White, Hydro Therapy

MT3053RWH
-Right, White, Hydro Therapy

MT3053LBH
-Left, Biscuit, Hydro Therapy

MT3053RBH
-Right, Biscuit Hydro Therapy

MT3053LWA
-Left, White, Air Bubble Massage

MT3053RWA
-Right, White, Air Bubble Massage

MT3053LBA
-Left, Biscuit, Air Bubble Massage

MT3053RBA
-Right, Biscuit, Air Bubble Massage

MT3053LWD
-Left, White, Dual Hydro & Air

MT3053RWD
-Right, White, Dual Hydro & Air

MT3053LBD
-Left, Biscuit, Dual Hydro & Air

MT3053RBD
-Right, Biscuit, Dual Hydro & Air